



# RAM INDUSTRIES

13119 MULA CT. STAFFORD  
(281) 495-9056 TEXAS 77477

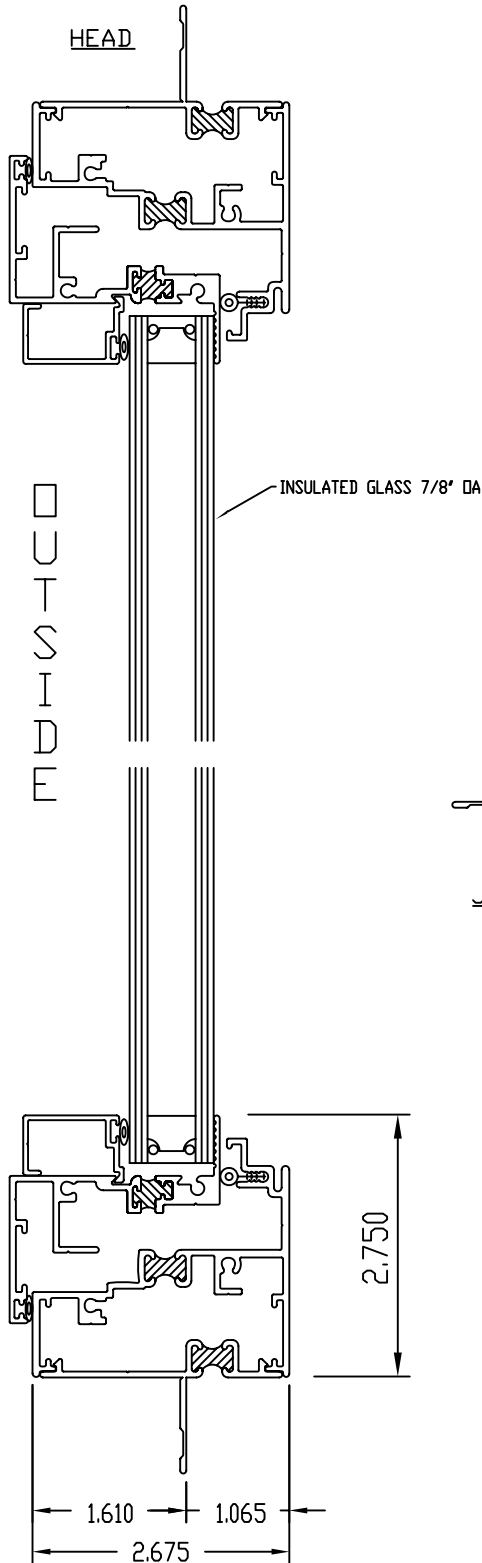
## AWNING

Dwg No:  
900-8

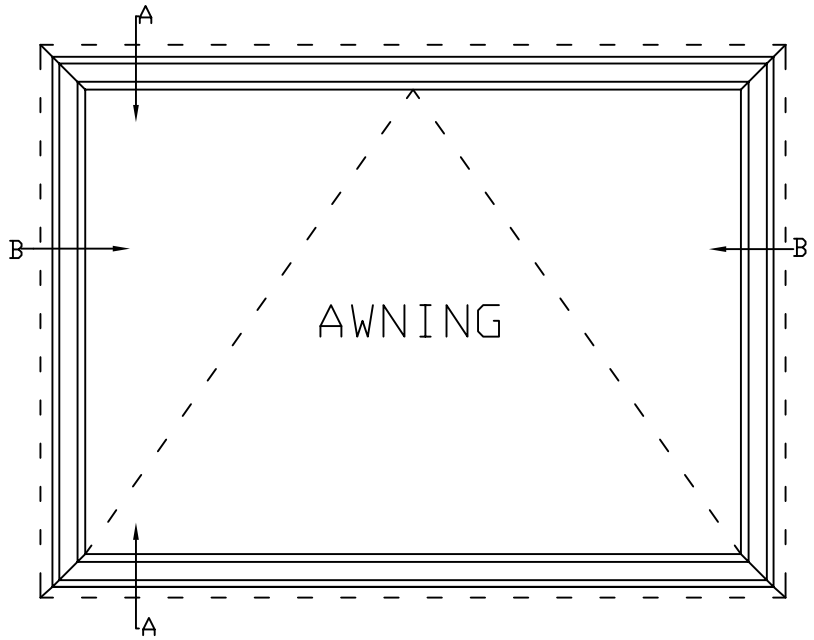
Date/Rev No.:  
08-31-09 / C

### SECTION A-A

SCALE: 1/2



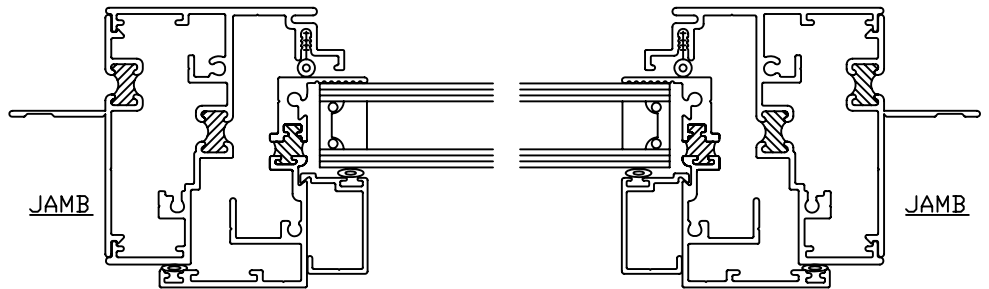
SILL  
SHOWING STANDARD NAIL FIN  
POSITION



TYPICAL ELEVATION

### SECTION B-B

SCALE: 1/2



SILL  
W/O FIN

SILL  
W/REVERSE FIN

OUTSIDE