



**RAM
INDUSTRIES**

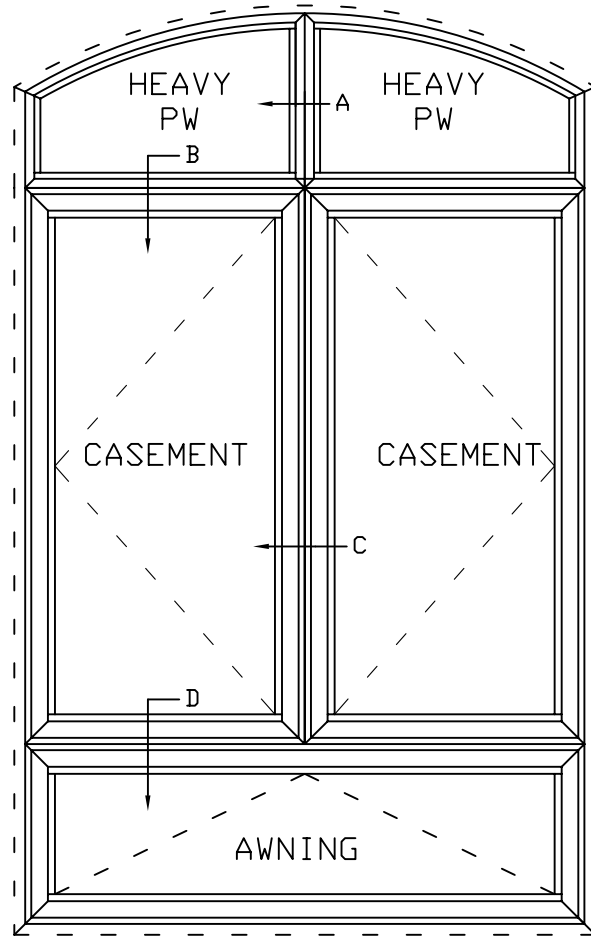
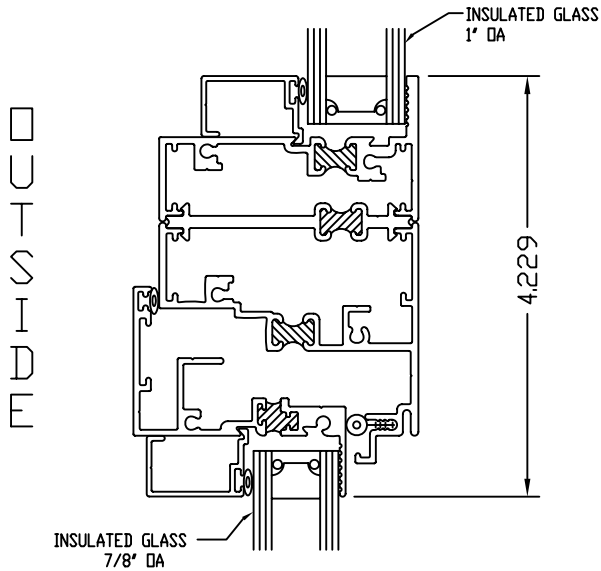
13119 MULA CT. STAFFORD
(281) 495-9056 TEXAS 77477

**HPW/CASEMENT/AWNING
MULLED
CONFIGURATION**

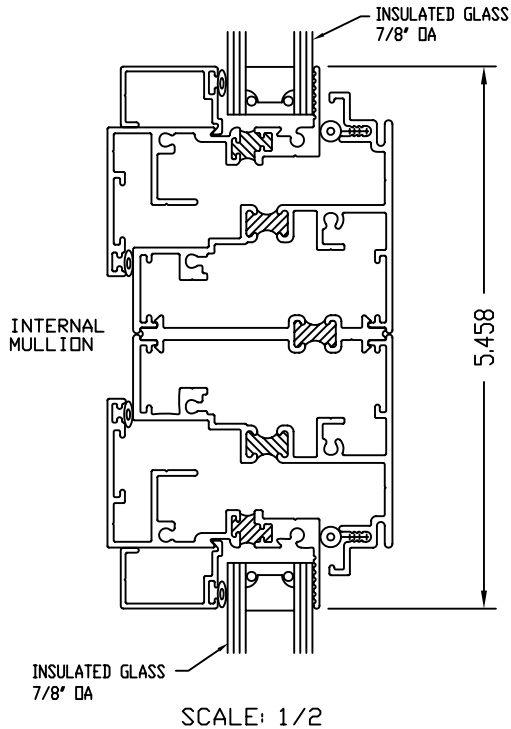
**Dwg No:
900-4**

**Date/Rev No:
08-31-09 / C**

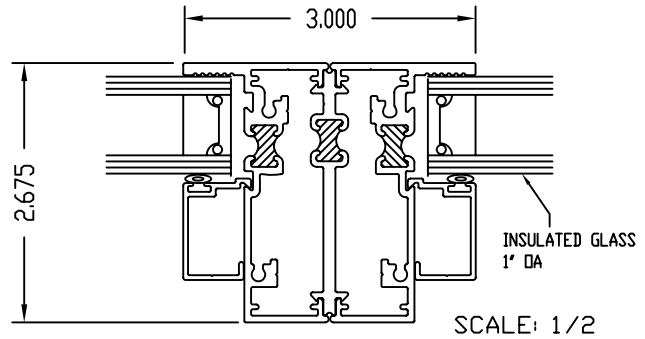
**B - HEAVY PICTURE WINDOW/
CASEMENT WINDOW**



**D - CASEMENT WINDOW/
AWNING WINDOW**



A - HEAVY PICTURE WINDOW-HEAVY PICTURE WINDOW



C - CASEMENT WINDOW-CASEMENT WINDOW

